



ASC
GLOBAL

PRODUCT CATALOG



03	DC Contactors
09	Solid State Relays
10	EMI Filters
11	Photo Controls
12	Motors and Blowers
13	Switch Components
17	Power Products
18	Automotive
19	Diodes, Bridge, High Voltage Rectifier
20	Circuit Protection
21	LED & IGBT





Epoxy Resin Series

- 12V upto 1500V
- Upto 600A
- Cost-effective designs



Ceramic Series

- 12V upto 1800V
- Upto 1000A
- High performance designs



PCB Series







- 12V upto 900V
- Upto 500A
- Board mount designs









Energy Storage Series

- 12V upto 1500V
- Upto 600A
- Perfect for ESS and charging

DC Contactor Selection Chart

Family	Current Carry	Operating Voltage	Coil Voltage	Coil Economizer	Polarized/Bidirectional	Aux Option	Contact Arrangement	Mounting	Arc Chamber Seal	Certifications	
AEV20E	20A+	12-750VDC	12, 24	No	Polarized	No	SPST-NO	PCB, Tabs	Epoxy Resin	UL Pending	
ASEV30	30A+	12-900VDC	12, 24	No	Polarized	No	SPST-NO	Bottom	Epoxy Resin	CE cULus	
ASEV50	50A+	12-900VDC	12, 24, 48	No	Polarized	No	SPST-NO	PCB	Epoxy Resin		
ALEV50	50A+	12-900VDC	12, 24, 48	No	Both	Yes	SPST-NO	Bottom, Side	Epoxy Resin	CE cULus	
AREV50	50A+	12-1500VDC	12, 24, 48	No	Both	Yes	SPST-NO, SPST-NC, Latching	Bottom, Side	Epoxy Resin		
AEVT60	60A+	12-750VDC	12, 24	No	Polarized	No	SPST-NO	Bottom	Ceramic	CE	
ALEV100	125A+	12-1000VDC	12, 24, 48	No	Both	Yes	SPST-NO	Bottom, Side, PCB	Epoxy Resin	CE cULus	







DC Contactor Selection Chart

Family	Current Carry	Operating Voltage	Coil Voltage	Coil Economizer	Polarized/Bidirectional	Aux Option	Contact Arrangement	Mounting	Arc Chamber Seal	Certifications	
ASEV150	150A+	12-900VDC	12-24	PWM	Polarized	No	SPST-NO	PCB	Epoxy Resin		
AEV150	150A+	12-900VDC	12-24	PWM	Both	Yes	SPST-NO	Bottom	Epoxy Resin	CE cULUS	
AEVT150	150A+	12-750VDC	12, 24	No	Polarized	No	SPST-NO	Bottom, Side	Ceramic	CE cULUS	
AREVS150	200A+	12-900VDC	12, 24, 48, 12-24	Single Coil PWM	Both	Yes	SPST-NO	Bottom, Side	Epoxy	CE	
AEVT200	200A+	12-750VDC	12, 24	No	Polarized	No	SPST-NO	Bottom, Side	Ceramic	CE	
AGX11	250A+	12-800VDC	12, 24, 48	Dual Coil	Polarized	Yes	SPST-NO	Chassis	Ceramic	Pending	







DC Contactor Selection Chart

Family	Current Carry	Operating Voltage	Coil Voltage	Coil Economizer	Polarized/Bidirectional	Aux Option	Contact Arrangement	Mounting	Arc Chamber Seal	Certifications	
AEVT350	350A+	12-1800VDC	12, 24	PWM	Polarized	Yes	SPST-NO	Bottom	Ceramic	CE cRU ^{US}	
AGX14	350A+	12-800VDC	12, 24, 48	Dual Coil	Polarized	Yes	SPST-NO	Chassis	Ceramic	Pending	
AGXL14	350A+	12-800VDC	12, 24, 48	Latching	Polarized	Yes	Latching	Chassis	Ceramic	Pending	
AES400	400A+	12-1000VDC	12-24, 24	PWM	Polarized	Yes	SPST-NO	Bottom	Epoxy Resin	CE cRU ^{US}	
AEVTS400	400A+	12-1800VDC	12, 24, 48	Dual Coil	Polarized	Yes	SPST-NO	Bottom	Ceramic	CE cRU ^{US}	
AEVT400	400A+	12-1800VDC	12, 24	PWM	Polarized	Yes	SPST-NO	Bottom	Ceramic	CE cRU ^{US}	
ARLEV200	500A+	12-900VDC	12, 24, 48,	No	Polarized	Yes	SPST-NO	Bottom, Side	Epoxy	Pending	

DC Contactor Selection Chart

Family	Current Carry	Operating Voltage	Coil Voltage	Coil Economizer	Polarized/ Bidirectional	Aux Option	Contact Arrangement	Mounting	Arc Chamber Seal	Certifications	
AEVE400	400A+	12-800VDC	12, 24	No	Polarized	No	SPST-NO	Bottom	Ceramic		
AEVF400	400A+	12-1000VDC	12, 24	No	Bidirectional	No	SPST-NO	Bottom, Side	Ceramic	Pending	
AREV250	500A+	12-900VDC	12-24, 48	PWM, Dual Coil	Both	Yes	SPST-NO, SPST-NC	Bottom, Side	Epoxy	CE	
AREV250L	500A+	12-900VDC	12, 24, 48	Latching	Both	Yes	Latching	Bottom, Side	Epoxy	CE	
AEV250	500A+	12-1000VDC	12-24, 48-72, 72	PWM	Both	Yes	SPST-NO	Bottom	Epoxy Resin	CE cUL ^{us}	
APV500	500A+	12-900VDC	12, 24, 48	PWM, Dual Coil	Both	Yes	SPST-NO	PCB	Epoxy Resin	Pending	
AES500	500A+	12-1500VDC	12-24	PWM	Bidirectional	Yes	SPST-NO	Bottom	Epoxy Resin	CE cUL ^{us}	

DC Contactor Selection Chart

Family	Current Carry	Operating Voltage	Coil Voltage	Coil Economizer	Polarized/ Bidirectional	Aux Option	Contact Arrangement	Mounting	Arc Chamber Seal	Certifications	
AEVT500	500A+	12-1800VDC	12, 24	Dual Coil	Bidirectional	Yes	SPST-NO	Bottom	Ceramic	CE cUL [®] US	
AEVT600	600A+	12-1800VDC	12, 24	Dual Coil	Bidirectional	Yes	SPST-NO	Bottom	Ceramic		
AES600	600A+	12-1000VDC	12-24, 24	PWM	Polarized	Yes	SPST-NO	Bottom	Epoxy Resin	CE cUL [®] US	
AGX16	600A+	12-800VDC	12, 24, 48	Dual Coil	Polarized	Yes	SPST-No	Chassis	Ceramic	Pending	
AGXL16	600A+	12-800VDC	12, 24, 48	Latching	Polarized	Yes	Latching	Chassis	Ceramic	Pending	
AEVT1000	1000A+	12-1800VDC	12-24	Dual Coil	Bidirectional	Yes	SPST-NO	Bottom	Ceramic		



AC/DC Output Models-Single Phase
• DIN-rail mounted



AC/DC Output Models-Single Phase
• PCB Mounted



AC/DC Output Models-Single Phase
• Panel Mounted



AC Output Models-Three Phase
• Panel Mounted



IEC Inlet/Power Entry Module Filters

- 250VAC 50-60Hz
- 1A–20A current ratings
- Various Mounting Styles
- Multiple Terminal Choices
- Custom Versions available



Single-Phase Filters

- 250VAC 50-60Hz
- 1A–100A current ratings
- Chassis Mount
- Multiple Terminal Choices
- Choice of performance



Three-Phase Filters

- Up to 520VAC 50-60Hz
- 6A–1000A current ratings
- Chassis Mount
- Multiple Terminal Choices
- 3 or 4 Line options with Neutral



DC Filters

- Up to 1500 V DC
- 25A – 1000A current ratings
- Ideal for Renewable Energy applications
- Designed for EV chargers
- Custom version available



E7/8/9 SERIES PHOTOCELL

- Designed to meet ANSI C136.10.
- 30 Amp rated general purpose relay
- 1000 Watt Tungsten, 1800 VA Ballast
- 3-pole locking type with solid brass blades



P-103/P-104 SERIES PHOTOCELL

- Designed to meet UL 773A
- Less than 0.9Watts (avg.) at 120VAC
- 2000 Watt Tungsten, 1900VA Ballast
- SPST Thermal Bi-metal Switch



P-101/P-102 SERIES PHOTOCELL

- Designed to meet ANSI C136.10.
- Fail Safe
- 1000 Watt Tungsten, 1800VA Ballast
- 3-pole locking-type with solid brass blades



P-105 SERIES PHOTOCELL

- Designed to meet ANSI C136.24 & UL 773A
- Less than 0.9Watts (avg.) at 120VAC
- SPST Thermal Bi-metal Switch



P-106 SERIES PHOTOCELL

- Designed to meet UL 773A
- Less than 0.9Watts (avg.) at 120VAC
- SPST Thermal Bi-metal Switch



C-Frame Motors

Our C-frame AC motors are compact, fractional horsepower motors designed to drive fans and blowers found in various equipment.

Applications: Ventilation fans, electric heaters, humidifiers, range hoods, fireplace-blowers and refrigeration units

Lamination Width: 1.89", 2.38", 2.50". Lamination Stack Thickness: .375"-2.0"



3.3" Shaded Pole or PSC Motors

Motors available for high torque applications and pump motors. Sealed ball or sleeve bearing styles available for long life.

Multi-tap motors available for multi-speed, multi-power, and reversible motors.

Applications: Fans, blowers, pumps, air conditioners, and heaters.



Unit Bearing Motors

AC and EC Unit bearing motors available. Sealed unit bearing design ensures constant lubrication and virtually eliminates metal on metal contact.

Motors available in cast iron or cast aluminum shells.

Applications: Domestic refrigerator and freezer fans, commercial refrigeration equipment, walk in coolers, food and beverage display cases and many others.



EC Motors

High efficiency motors, with easy integration and a wide range of mounting configurations. Come with advanced EC design which ensures quiet, efficient operation.

Applications: Refrigeration and HVAC Systems, Commercial and Industrial Ventilation, Data Center Cooling, Pool and Spa Pumps



42/48/56 Motors

Designed and constructed for long life, with Steel and Aluminum shells in TEFC, TE, ODP, or AO configurations.

Applications: Axial Fans, Condenser Fans, Unit Heaters, Home Ventilation, Jet Pumps, Commercial Kitchen Equipment Pumps



SquirrelCageBlowers

Squirrel Cage Blower Fans, with their versatile design and efficient airflow characteristics, find extensive applications across various industries. Typically used where a constant flow of 100-160CFM is needed for Low to medium airflow applications in residential and light commercial applications.

Applications: ventilation, combustion, cooling and heating and drying

Size: 1.9 in. to 17.7 in. (50 mm to 450mm)



Tangential (Cross-flow) Blowers

Provide even, low to medium velocity airflow over a wide area. Feature a narrow footprint and are available in many different lengths.

Applications: Fireplace inserts, pellet stoves, industrial cabinet cooling

Size: 4.7 in. to 24 in. (120 mm to 600 mm) CFM: 50 to 250



Convection Fans

Features an AC motor mounted outside the hot area and a radial impeller made of sheet steel, stainless steel, or die-cast aluminum for mounting in high temperature applications.

Applications: Convection ovens

Note: Motor supplied bundled with blade, nut, and washer

Size: Ø4 in. to 9 in. (97 mm to 225 mm) CFM: 53 to 820



Backward Curved Blowers

Supply air flow at medium system pressures; air is drawn in over the motor and discharged radially.

Applications: Cleanrooms, exhaust systems, routers, telecom equipment

Size: Ø5.2 in. to 24.8 in. (133 mm to 630 mm) CFM: 150 to 13,000



Axial/Compact Fans

Supply air flow at low system pressures. Complete fan packages provide easy mounting, minimal depth, low noise and high efficiency.

Applications: Condensers, horticulture, industrial and commercial air conditioners, livestock ventilation, Medical equipment, power supplies, printers/copiers, routers, servers

Size: Ø0.8 in. to 33.4 in. (20 mm to 850 mm) CFM: 0.8 to 7,800



Centrifugal blowers

Suitable for applications with relatively high pressures. External rotor motor combined with a forward curved centrifugal wheel with a scroll housing.

Applications: Exhaust systems, range hoods, machine cooling

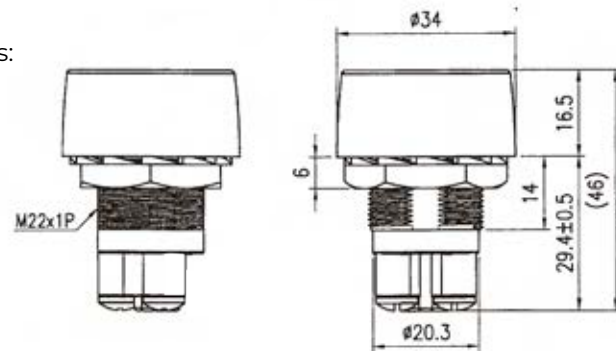
Size: Ø4.7 in. to 11 in. (120 mm to 277 mm) CFM: 24 to 700

STARTER SWITCH - SA Series



SA

Dimensions:
In Millimeters



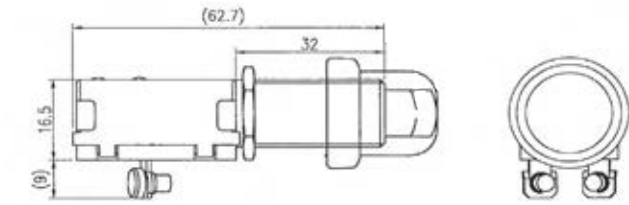
Ø 22 mm
9 mm max

PUSH BUTTON SWITCH - PA Series



PA1

Dimensions:
In Millimeters

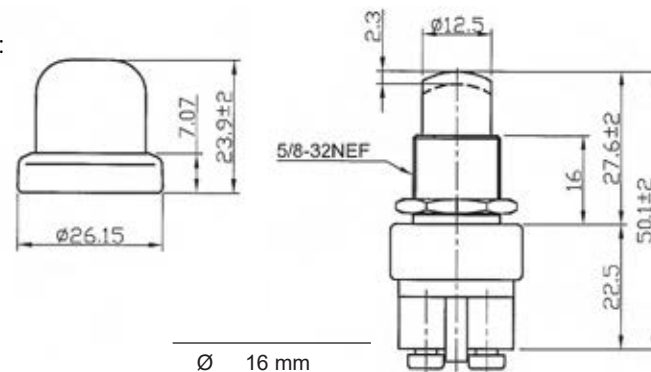


Ø 16 mm
10 mm max



SB

Dimensions:
In Millimeters

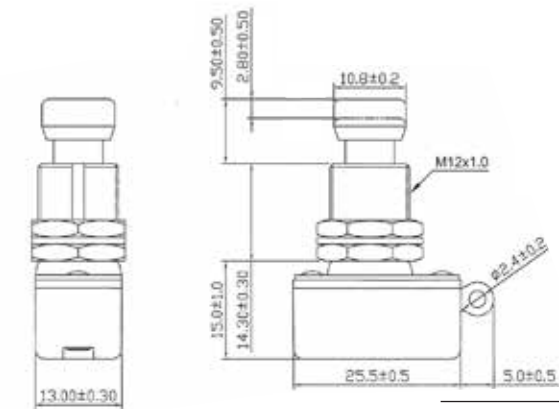


Ø 16 mm
4 mm max



PA2

Dimensions:
In Millimeters



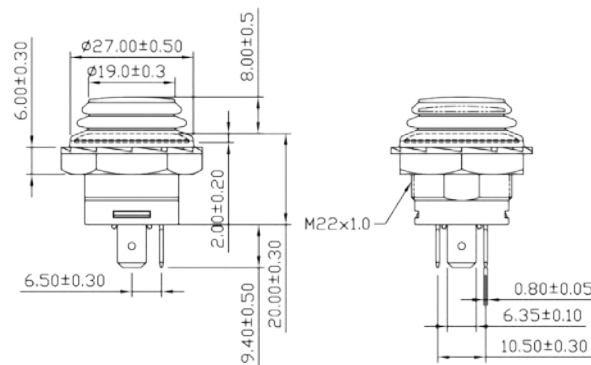
Ø 12.2 mm
8 mm max

PUSH BUTTON SWITCH - PC Series



PC

Dimensions:
In Millimeters



Accessories / Features*:
• Waterproof IP. IP65

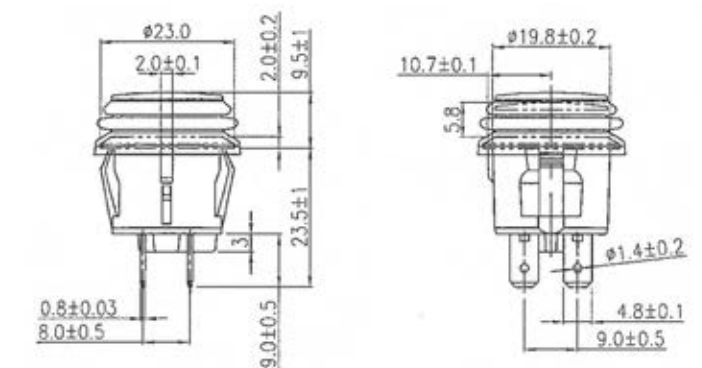
Ø 22 mm
7 mm max

PUSH BUTTON SWITCH - PB Series



PB

Dimensions:
In Millimeters



Accessories / Features*:
• Waterproof IP. IP65

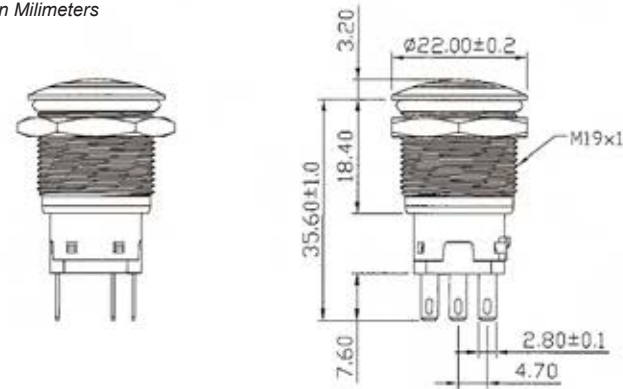
Ø 20.2 mm
0.7~2.5 mm max

PUSH BUTTON SWITCH - PD Series



PD

Dimensions:
In Millimeters



Accessories / Features*:

- Waterproof IP: IP67

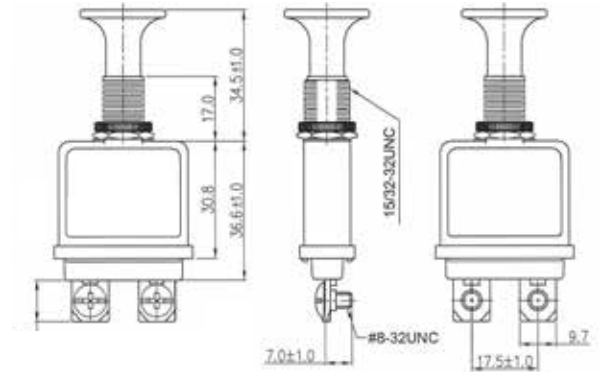
\varnothing	19.0 mm
$\frac{\square}{\square}$	7~10 mm max

PUSH-PULL SWITCH - PP Series



PP

Dimensions:
In Millimeters



\varnothing	12.2 mm
$\frac{\square}{\square}$	10 mm max

TOGGLE SWITCH - TA1 Series



TA1

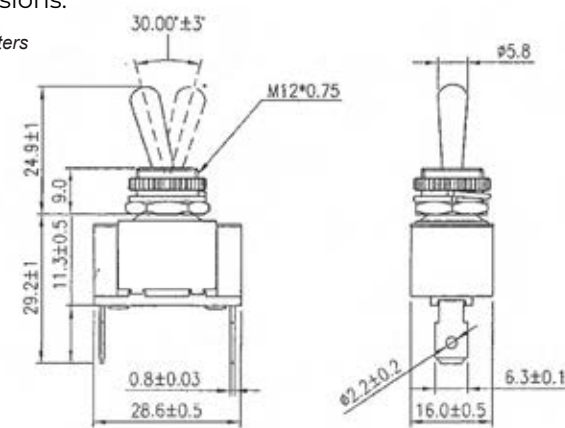


TA1A



TA1B

Dimensions:
In Millimeters



Accessories / Features*:

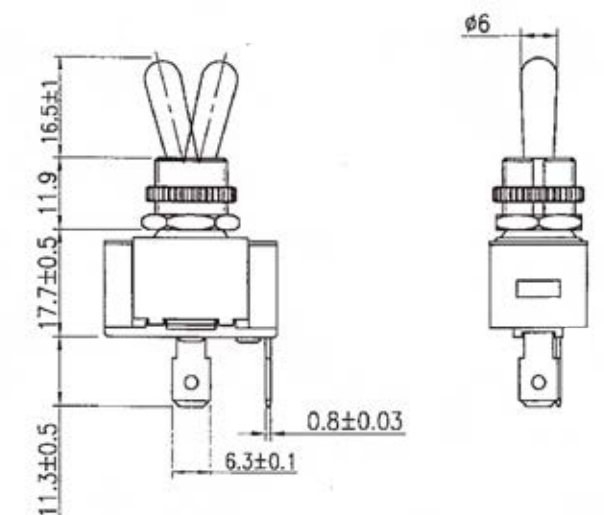
- Waterproof boot: WT1
- Safety cover: SC

\varnothing	12.2 mm
$\frac{\square}{\square}$	4 mm max

TOGGLE SWITCH - TA2 Series



TA2



Accessories / Features*:

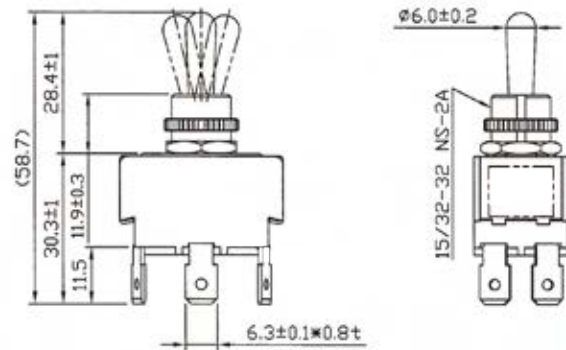
- Waterproof boot: WT2
- Waterproof IP: IP55

\varnothing	12.2 mm
$\frac{\square}{\square}$	6 mm max

TOGGLE SWITCH - TB1 Series

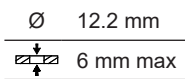


TB1



Accessories / Features*:

- Waterproof boot. WT2
- Waterproof IP. IP67



TOGGLE SWITCH - TE Series



TE1



TE3



TE5



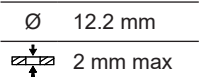
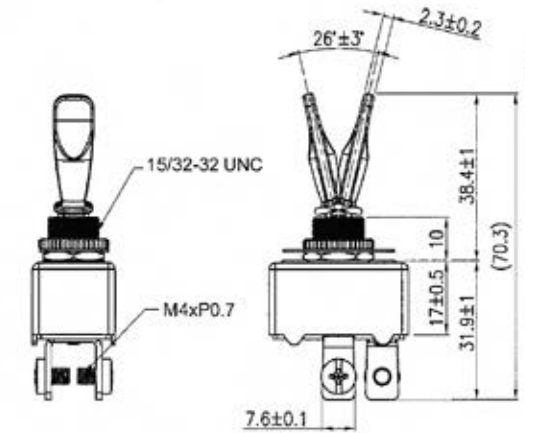
TE4



TE6

Accessories / Features*:

- Safety cover. SC



STANDARD ROCKER SWITCH - RA Series



RA1



RA2



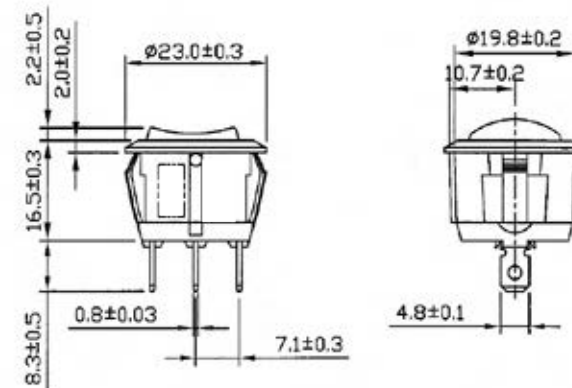
RA4



RA3



RA5

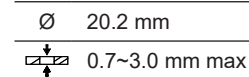


Standards and certifications*:



Accessories / Features*:

- Wire connector. CW2
- Waterproof boot. WR1 (IP55)
- Waterproof IP. IP65



STANDARD ROCKER SWITCH - RD Series



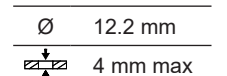
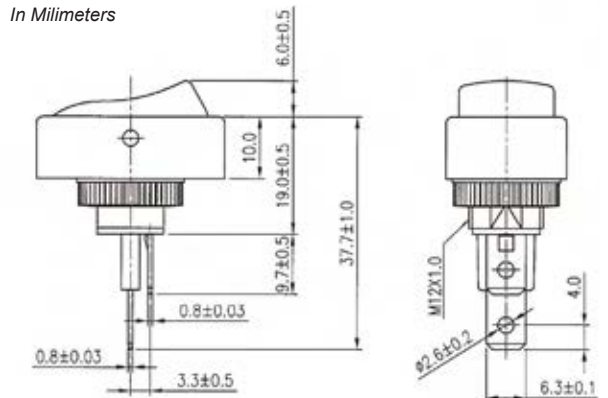
RD1



RD2

Dimensions:

In Millimeters

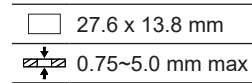
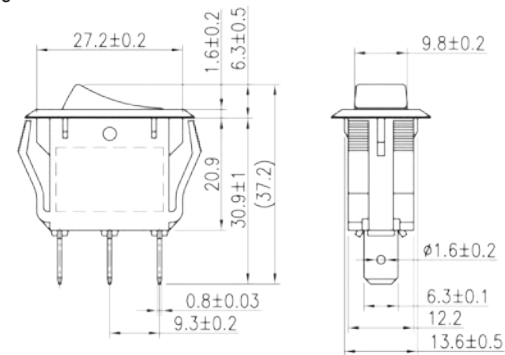


STANDARD ROCKER SWITCH - RG Series



Dimensions:

In Millimeters

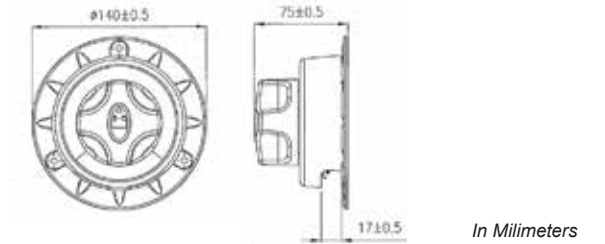


Standards and certifications*:



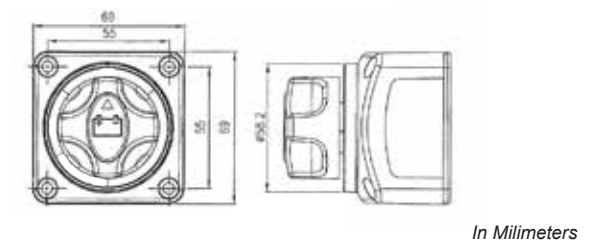
BATTERY SWITCH

BA SERIES



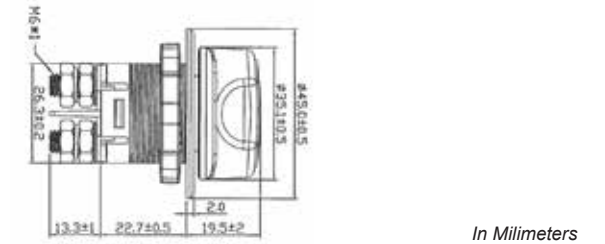
BA

BB SERIES



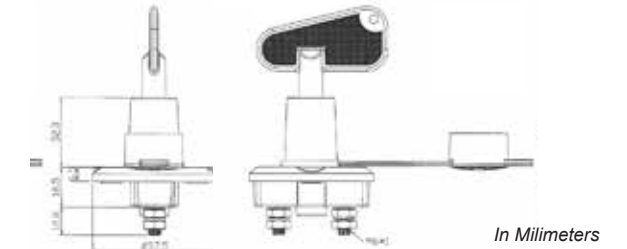
BB

BC SERIES



BC

BD SERIES



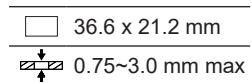
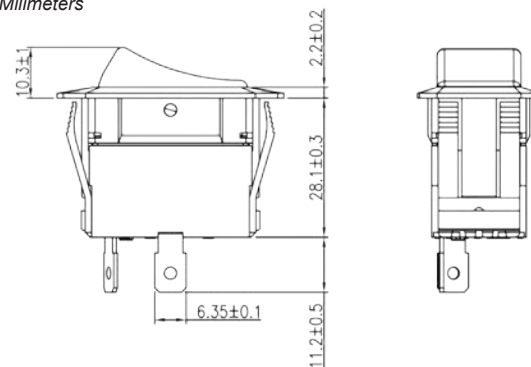
BD

SEALED ROCKER SWITCH - SRB Series



Dimensions:

In Millimeters



Accessories / Features*:

- Wire connector. CW1
- Waterproof IP. IP56

Power Products Division



Buzzers



Microphones



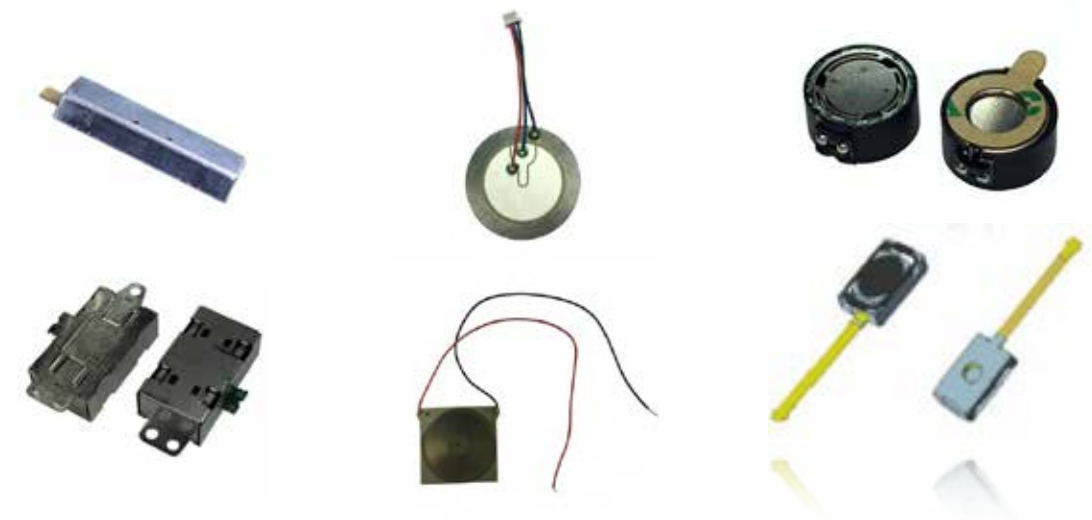
Speakers



Power Products Division



Buzzers



Blade Fuses



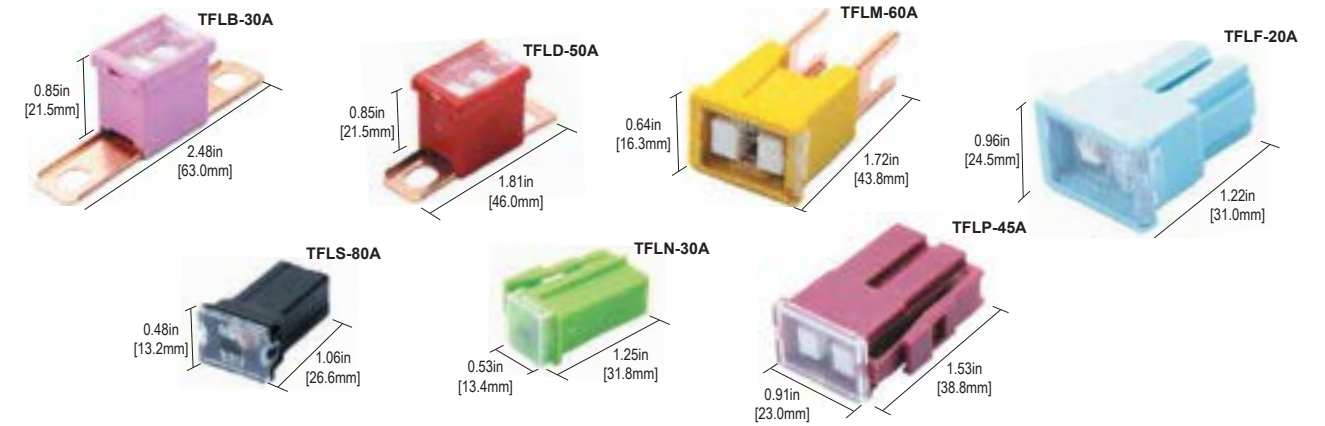
In-Line Fuse Holders -



Fuse Blocks



Link Fuses



Bolt-On Fuses -



Low Voltage Circuit Breakers -



Diodes, Bridge, High Voltage Rectifier



SMD Diodes/Rectifier	V _{RRM}	Standard Recovery	SMD Diodes/Rectifier																	I _{fav}	Standard Recovery
			0.5 A	1 A	1 A	1 A	2 A	3 A	1 A	1 A	1 A	1 A	1.5 A	2 A	2 A	3 A	3 A	5 A	8 A		
50	GL34A	GL1A	AL1A 1)	SM4001		SM5400	SL1A	ST1A	M1*	S1A				S2A	S3ASMB	S3A	S5A	S8A	50		
100	GL34B	GL1B	AL1B 1)	SM4002		SM5401	SL1B	ST1B	M2*	S1B				S2B	S3BSMB	S3B	S5B	S8B	100		
200	GL34D	GL1D	AL1D 1)	SM4003	SM5059	SM5402	SL1D	ST1D	M3*	S1D	BYG10D 1)			S2D	S3DSMB	S3D	S5D	S8D	200		
400	GL34G	GL1G	AL1G 1)	SM4004	SM5060	SM5404	SL1G	ST1G	M4*	S1G	BYG10G 1)			S2G	S3GSMB	S3G	S5G	S8G	400		
600	GL34J	GL1J	AL1J1)	SM4005	SM5061	SM5406	SL1J	ST1J	M5*	S1J	BYG10J 1)			S2J	S3JSMB	S3J	S5J	S8J	600		
800	GL34K	GL1K	AL1K 1)	SM4006	SM5062	SM5407	SL1K	ST1K	M6*	S1K	BYG10K 1)			S2K	S3KSMB	S3K	S5K	S8K	800		
1000	GL34M	GL1M	AL1M 1)	SM4007	SM5063	SM5408	SL1M	ST1M	M7*	S1M	BYG10M 1)	S2MSMA		S2M	S3MSMB	S3M	S5M	S8M	1000		

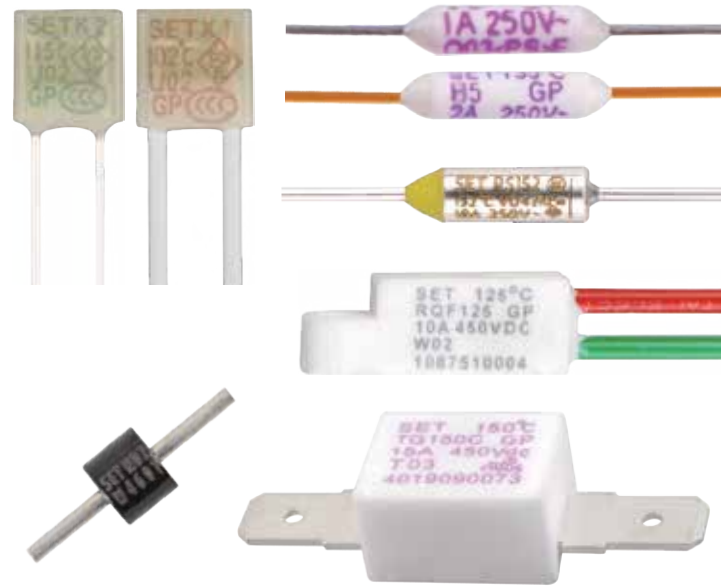


SMD Bridge Rectifier	V _{RRM}	Standard Recovery	SMD Bridge Rectifier																	I _{fav}	Standard Recovery
			0.5 A	0.5 A	0.8 A	0.8 A	1 A	0.8 A	1.5 A	1.5 A	2 A	1 A	1.5 A	2.3 A	1 A	1 A	1 A	2 A	3.7 A / 2.2 A		
80	MYS40		S40	S40F							B40S	B40S15A	B40S2A	B40FS	B40D	B40FD	B40R	B40C3700-2200	B40C5000-3300	B40C700-4000	80
160	MYS80	MB2S	S80	S80F		ABS2	ABS15D	ABS20D			B80S	B80S15A	B80S2A	B80FS	B80D	B80FD	B80R	B80C3700-2200	B80C5000-3300	B80C700-4000	160
250	MYS125	(200 V)	S125	S125F	S125K	(200 V)	(200 V)	(200 V)			B125S	B125S15A	B125S2A	B125FS	B125D	B125FD	B125R	B125C3700-2200	B125C5000-3300	B125C700-4000	250
400		MB4S		Fast Recovery	Protectifiers*	ABS4	ABS15G	Fast Rec.	ABS20G					Fast Recovery	B500D	Fast Recovery					400
600	MYS250	MB6S	S250	S250F	S250K	ABS6	ABS15J	ABS20J	B250S	B250S15A	B250S2A	B250FS	B250D	B250FD	B250R	B250C3700-2200	B250C5000-3300	B250C700-4000			600
800	MYS380	MB8S	S380	S380F		ABS8	ABS15K	ABS20K	B380S	B380S15A	B380S2A	B380FS	B380D	B380FD	B380R	B380C3700-2200	B380C5000-3300	B380C700-4000			800
1000		MB10S	S500			ABS10	ABS15M	ABS15M	ABS20M	B500S	B500S15A	B500S2A			B500R	B500C3700-2200	B500C5000-3300	B500C700-4000			1000



High Voltage Rectifier	V _{RRM}	Standard Recovery	High Voltage Rectifier										I _{fav}	Standard Recovery							
			5 mA	20 mA	5 mA	20 mA	200 mA	200 mA	0.3 A	0.5 A	1 A	6 A			4 A						
...4000			DD300		HV3	HV4				BY4											
...6000			DD600				HV5	HV6		Standard	Standard	BY6									
8000	2CL71A			2CL71						BY8	FBY8										
10000	2CL72B				DD1000		Fast														
12000	2CL73A				DD1200					BY12											
14000	Superfast				DD1400																
16000				2CL75	DD1600					BY16											
1800					DD1800																

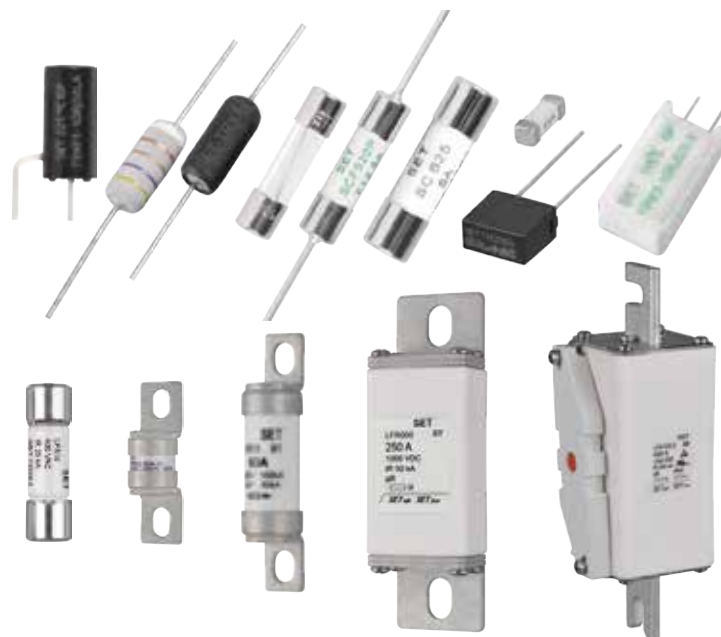
Over Temperature Protection



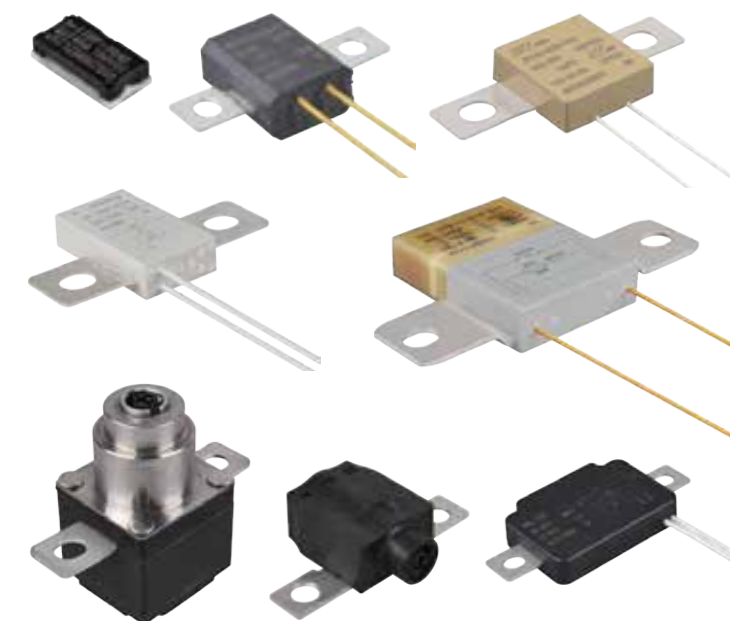
Over Voltage Protection



Over Current Protection



Active Protection



Top LED



Type	Description	Product Model	IF (mA)	VF (V)	WLD (nm)	2θ ^{1/2}	Φe / IV
2020	2020 White	ESS-TE2020TWC	700	2.8-3.4	5500-7000K	120°	180-200LM
	2020 White	ESS-TE2020UYC-3V	700	2.8-3.4	1500-1900K	120°	180-200LM
2214	2214 White	ESS-2214SBD-Z-2	10	2.7-3.4	X: 0.195 Y: 0.210	120°	70-140mcd
	2214 White	ESS-2214TWD-J	10	2.6-3.2	typ. 5600K	120°	typ. 100mcd
2835	2835 Red	ESS-2835UR	50	1.8-2.4	620-630	120°	2700-3200mcd
	2835 Yellow	ESS-2835UY	50	1.8-2.4	590-595	120°	2200-2500mcd
	2835 IR	ESS-2835CHWIR	60	1.2-1.5	940	120°	10-30mW/Sr
3014	3014IR	ESS-3014HIRC	20	1.4-1.6	940	120°	10-18mW/Sr
3528	3528 Red	ESS-3528URA	20	1.8-2.2	620-630	120°	600-800mcd
	3528 Red	ESS-3528URA-4	50	2.0-2.8	615-625	120°	2500-3500mcd
3030	3030 White	ESS-3030TWC-36V	60	typ. 3.6V	6000-7000K	120°	290-310LM
3535	3535 UV	ESS-U533C1F69Z30A2	100	5-7	260-270	120°	10-18mW
	3535 UV	ESS-3535UVCUVA	150	3.0-3.4	390-400	120°	120mW
			40	5-8	270-280	120°	5mW
	3535 UV	ESS-3535A0V128Z1V2	1000	3.4-4.2	400-410	60°	1400-2000mW
3535 Red	ESS-3535CNAR660	700	1.8-2.4	650-670	120°	1010-1230mW	
5050	5050 RGB	ESS-5050RGBC-T3	20	1.8-2.4	620-630	120°	650-750mcd
			20	3.0-3.6	460-470	120°	350-400mcd
			20	3.0-3.6	520-525	120°	1400-1700mcd
	5050 Blue	ESS-5050UBC	60	2.8-3.6	460-470	120°	2000-3000mcd

Chip LED

White Series

P/N	IF (mA)	VF (V)	CCT	Iv (mcd)
0603 White ESS-JC190DSS	20	2.8-3.4	9000-12000K	800
0805 White ESS-JC170DSS	20	2.8-3.4	9000-12000K	800
1206 White ESS-JC150DSS	20	2.8-3.4	9000-12000K	800

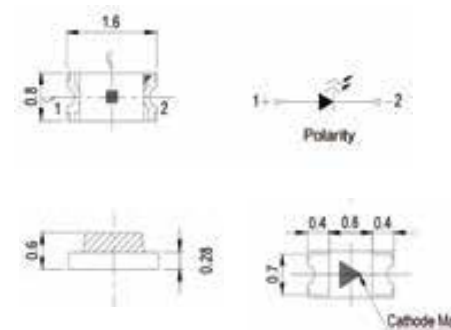


0603 Series

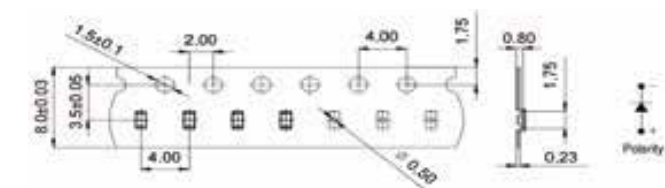
P/N	IF (mA)	VF (V)	WLD (nm)	Iv (mcd)
0603 Red ESS-JC190KRKT	20	1.8-2.2	620-630	190
0603 Yellow ESS-JC190KYKT	20	1.8-2.2	585-595	150
0603 Green ESS-JC190TGKT	20	2.8-3.4	520-530	850
0603 Blue ESS-JC190TBKT	20	2.8-3.4	460-470	280



Dimensional Drawing

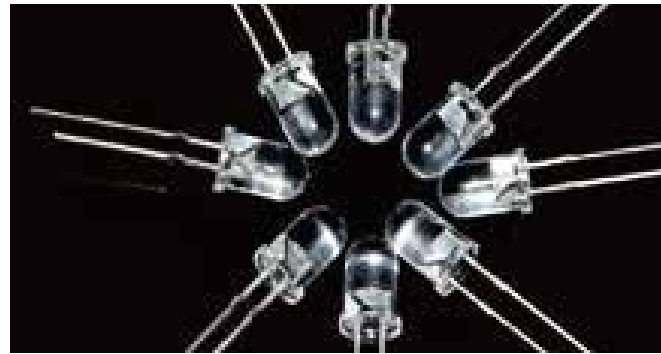


Package Tape Specifications: (4000 pcs/Reel)

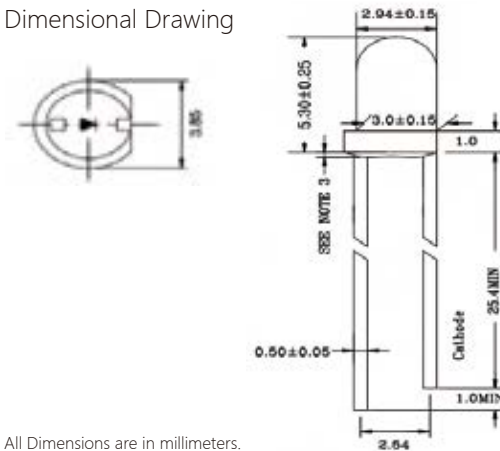


All Dimensions are in millimeters.

Lamp LED



Dimensional Drawing



All Dimensions are in millimeters.

Model	Color	Lens Color	Chip Material	VF (F)	Ir(V=5V) (μA)	CCT (K)	2θ1/2 (°)	Iv (mcd)
ESL-R3044CWCE103	Cold White	Water Clear	GaN/GaN	3.2	10	8000-10000	20	8000
ESL-R3044TWCE026	White	Water Clear	GaN/GaN	3.0-3.6	10	6000	20	8000
ESL-R3044TWWE081	White	Water Clear	GaN/GaN	3.0-3.6	10	6000-8000		6000
ESL-R3044TWWE081	White	White Diffused	GaN/GaN	3.0-3.6	10	6000-8000	40	6000
ESL-R3044TWWE182	Ture White	White Diffused	GaN/GaN	2.8-3.4	5	6000-7000	80	2000-5000
ESL-R3044WWCE074	Warm White	Water Clear	GaN/GaN	2.9-3.6	10	2800-3200	30	8000-10000

Model	Color	Lens Color	Chip Material	VF (F)	Ir(V=5V) (μA)	WLD (nm)	2θ1/2 (°)	Iv (mcd)
ESL-R3A40ARCN100	Red	Water Clear	GaAsAlP / GaAsP	2.1	10	623	100	1200
ESL-R3046HRDP219-TBS205	Red	Red Diffused	GaAlInP / GaAs	2	10	620-630	60	100-250
ESL-R3040ARCN215	Red	Water Clear	GaAlInP / GaAs	2.0-2.4	10	620-630	30	5500-7000
ESL-R3040HRCP239	Red	Water Clear	GaAlInP / GaAs	1.9-2.1	10	630-640	40	1300-1800
ESL-R3040SRDN174	Red	Red Diffused	GaAlInP / GaAs	1.8-2.4	10	635-645	60	50-60
ESL-R3044VRCP253	Red	Water Clear	GaAlInP / GaAs	2	10	620-628	25	2500
ESL-R3050SRCN357	Red	Water Clear	GaAlInP / GaAs	1.8	10	643	60	55
ESL-R3040HRDP366	Ultra Red	Red Diffused	GaAlInP / GaAs	1.8-2.4	10	620	50	2000-5000
ESL-R3040HBDE034	Blue	Blue Diffused	GaN / GaN	3.2	10	468	60	800
ESL-R3044UBCE200	Blue	Water Clear	GaN / GaN	3.2	10	470	20	1500
ESL-R3044UBCE040	Blue	Water Clear	GaN / GaN	2.8-3.6	10	465-470	20	3000-5000
ESL-R3044HBWE045	Blue	White Diffused	GaN / GaN	3.5-4	10	470	60	700
ESL-R3040VBCE095	Blue	Water Clear	GaN / GaN	2.9-3.6	10	465-475	20	4000-5000
ESL-R3240SGDP041	Green	Green Diffused	GaP / GaP	2.2	10	570	60	18
ESL-R3045LPGCE086	Green	Water Clear	GaN / GaN	3.2	10	520	25	9000
ESL-R3046GDP145-TBS205	Green	Green Diffused	GaP / GaP	1.8-2.4	10	570-575	80	100-250
ESL-R3040LPGCE071	Green	Water Clear	GaN / GaN	2.9-3.6	10	520-530	30	9000-13000
ESL-R3040GDP058	Green	Green Diffused	GaAlInP / GaAs	2.0-2.6	10	565-573	60	20-40
ESL-R3040GDP058	Green	Green Diffused	GaP / GaP	2.0-2.6	10	565-573	60	20-30
ESL-R3040AYCN099	Yellow	Water Clear	GaAlInP / GaAs	2	10	589-594	40	3500
ESL-R3040HYTP097	Yellow	Yellow Clear	GaAsP / GaP	2	10	588	30	60
ESL-R3140HYCP158	Yellow	Water Clear	GaAsP / GaP	1.8-2.3	10	589-594	30	1000-2000
ESL-R3050HYCP168	Yellow	Water Clear	GaAsP / GaP	2.1	10	589	80	200
ESL-R3040HYDP077	Yellow	Yellow Diffused	GaAsP / GaP	2.0-2.6	10	584-593	60	15-25
ESL-R3040VOTP020	Orange	Orange Clear	GaAlInP / GaAs	2.1	10	600-610	20	4000

High Power LED



Type	Model	Color	Luminous Flux φv(lm)	WLD (nm)	Forward Voltage VF(V)	Power Dissipation PD(W)	2θ1/2 (°)	Thermal Resistance RθJ-B(°C/W)	Testing Condition
1W	ESH-1WABC-GT	Blue	15-25	460-470	3-3.6	1.05-1.26	120	12	IF=750mA
	ESH-1WARC-GT	Red	40-60	620-630	2-2.6	0.80-1.04			
	ESH-1WLPGC-GT	Pure Green	70-90	520-530	3-3.6	1.05-1.26			
3W	ESH-3WABC-GT	Blue	30-50	460-470	3.5-4.5	2.63-3.375	120	12	IF=750mA
	ESH-3WARC-GT	Red	60-80	620-630	2.2-2.8	1.76-2.24			
	ESH-3WAYC-GT	Yellow		588-593					
	WSH-3WLPGC-GT	Pure Green	120-140	520-530	3.5-4.5	2.63-3.38			
10W	ESH-10WABC-GT	Blue	150-250	460-470	30-36	10.5-12.6	120	1.2	IF=350mA
	ESH-10WARC-GT	Red	300-500	620-630	20-26	10.4			
	ESH-10WAYC-GT	Yellow	400-500	588-593		10			
	ESH-10WLPGC-GT	Pure Green	700-800	520-530	30-36	10.5			
20W	ESH-20WABC-GT	Blue	300-500	460-470	30-36	21	120	0.6	IF=700mA
	ESH-20WARC-GT	Red	800-1000	620-630	20-26	20			
	ESH-20WAYC-GT	Yellow		588-593					
	ESH-20WLPGC-GT	Pure Green	1400-1600	520-530	30-36	21			
50W	ESH-50WABC-GT	Blue	750-1250	460-470	30-36	52.5	120	0.24	IF=1750mA
	ESH-50WARC-GT	Red	2000-2500	620-630	20-26	50			
	ESH-50WAYC-GT	Yellow		588-593					
	ESH-50WLPGC-GT	Pure Green	3500-4000	520-530	30-36	52.5			
100W	ESH-100WABC-GT	Blue	1500-2500	460-470	30-36	105	120	0.12	IF=3500mA
	ESH-100WARC-GT	Red	4000-5000	620-630	20-26	100			
	ESH-100WAYC-GT	Yellow		588-593					
	ESH-100WLPGC-GT	Pure Green	7000-8000	520-530	30-36	105			
300W	ESH-300WABC-GT	Blue	4500-7500	460-470	45-54	315	120	0.04	IF=7000mA
	ESH-300WARC-GT	Red	12000-15000	620-630	30-39	300			
	ESH-300WAYC-GT	Yellow		588-593					
	ESH-300WLPGC-GT	Pure Green	21000-24000	520-530	45-54				

Photo Coupler



Applications

Power Supply



Charger



Smart Meter



Black / White Home Appliance



Solar Power



BMS



Industrial Control



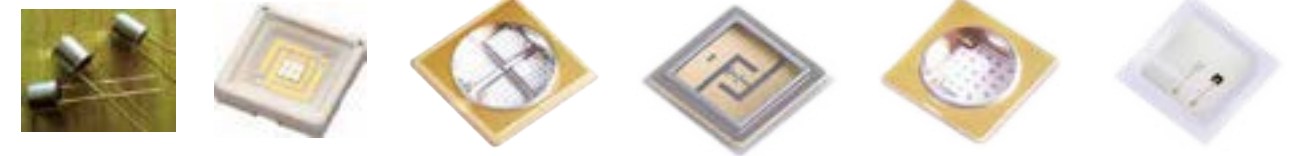
Light Dimmer



PartNo.	Replacement PartNo.	Package	Peak off-state voltage	ON - state RMS current	Critical rate of rise of OFF - state voltage	Operating Temperature	Isolation Voltage (VRMS)
ESP-0223	AQH0223	DIP8 SOP8 (9.6*6.4*3.6)	600V	0.3A	≥200V/us	-30 °C~85 °C	5000
ESP-1223	AQH1223		600V	0.6A	≥200V/us	-30 °C~85 °C	5000
ESP-2223	AQH2223		600V	0.9A	≥200V/us	-30 °C~85 °C	5000
ESP-3223	AQH3223		600V	1.2A	≥200V/us	-30 °C~85 °C	5000
ESP-3023	3023	DIP6 SOP6 (7.62*6.4*3.6)	400V	0.1A	1000V/us	-40 °C~85 °C	5000
ESP-3053	3053		600V	0.1A	1000V/us	-40 °C~85 °C	5000

PartNo.	Replacement PartNo.	Package	Load voltage	Continuous load current	Max.on resistance	Operating Temperature	Isolation Voltage (VRMS)
ESP-DA01	AQW 214	DIP8 SOP8 (9.6*6.4*3.6)	400V	130mA	25 Ω	-55 °C~100 °C	5000
ESP-DA04	AQW 216		600V	100mA	40 Ω	-55 °C~100 °C	5000
ESP-DA05	AQW 212		60V	500mA	1 Ω	-55 °C~100 °C	5000
ESP-61A01	AQV214	DIP6 SOP6 (7.62*6.4*3.6)	400V	130mA	25 Ω	-55 °C~100 °C	5000
ESP-61A04	AQV216		600V	100mA	40 Ω	-55 °C~100 °C	5000
ESP-61A05	AQV212		60V	500mA	1 Ω	-55 °C~100 °C	5000
ESP-41A01	AQY214	DIP4 SOP4 (4.5*6.4*3.6)	400V	130mA	25 Ω	-55 °C~100 °C	5000
ESP-41A04	AQY216		600V	100mA	40 Ω	-55 °C~100 °C	5000
ESP-41A05	AQY212		60V	500mA	1 Ω	-55 °C~100 °C	5000

UV LED



Applications

Money Detector



Nail Curing



Lighting



Insect Catcher



Air Purifier



Medical



Printer



Detection



Water Purifying Machine



Model	IF (mA)	VF (V)	WLD (mm)	Φe (mm)	2θ/2 (°)
ESS-2835UVA-H	150	3.4-3.7	410-420	200-220	120
ESS-3535UVA-H	1000	3.5-4.5	360-370	1300-1500	120
ESS-3535UVC0-TH-UV1	350	3.9(4.4max)	365-370	19(10-30)	150
ESS-3535UVC0-TH-UV2	350	3.9(4.4max)	370-375	40(30-60)	150
ESS-5050UVC1-TH	350	3.4-4.2	380-385	60-100	120
ESS-3535UVC275	40	5-8	typ.275mm	2-5	120
ESS-268A1V120Z6V2-S2P2	3000	7-9	390-400	10000-11000	60
ESS-268A2V119Z1V2-S2P2	3000	7-9	380-390	10000-11000	60
ESS-268A4V145Z1V2-S2P2	3000	7-9	360-370	8000-9000	60
ESS-3535A0V114Z1V2	1000	3.2-4.2	400-410	1700-2100	60
ESS-3535A1V113Z1V2	1000	3.2-4.2	390-400	1800-2100	60
ESS-3535A2V112Z1V2	1000	3.2-4.2	380-390	1800-2100	60
ESS-3535A4V111Z1V2	1000	3.2-4.2	360-370	1400-1800	60

Infrared LED



Applications

Security & Monitoring



Driving Detection



Smart Appliance



VR / AR



Medical Instruments Oximeter



Infrared Induction Tap



Product Model	IF (mA)	VF (V)	WLD (nm)	2θ 1/2	IE (mW/Sr)
ESL-516CIR1C	20	1.1-1.4	Typ 940	26°	Typ .25
ESL-IR3408J-X	50	1.3	Typ 940	60°	Typ .40
ESL-R316CIR1C	20	1.4	Typ 940	30°	10-30
ESL-SW-IR3408-L	50	1.3	Typ 940	40°	Typ .60
ESS-153IR1C-A01T2-V2	20	1.5	Typ 940	25°	4-9
ESS-IRA4335A65-X4	50	1.2-1.8	Typ 940	65°	Typ .27
ESL-533-03-SEL	20	Max.1.6	Typ 940	20°	Typ .6
ESL-533-04-SEL	20	Max.1.6	Typ 940	20°	Typ .6
ESL-533-06-SEL	50	Max.1.7	Typ 940	20°	Typ .20
ESL-533-02-SEL	50	Max.1.7	Typ 940	30°	Typ .2
ESL-955-02-SEL	50	Max.1.7	Typ 940	10°	Typ .20
ESL-1CL3-CL	40	Max.1.5	Typ 880	50°	Typ .7
ESL-1KL3-CL	100	Max.1.7	Typ 880	17°	Typ .7.5
ESL-51BNC-H	20	1.2-1.5	Typ 880	20°	Typ .20
ESL-319EIR1C-850	50	1.45	Typ 860	50°	Typ .20
ESS-3030IRC	100	1.5-1.8	Typ 850	120°	Typ .40
ESL-955-03-SM L	50	Max.1.8	Typ 850	10°	Typ .90
ESL-955-11-SM L	50	Max.1.7	Typ 850	12°	Typ .17
ESL-555-01-SM L	50	Max.1.8	Typ 850	40°	Typ .16
ESL-555-02-SM L	50	Max.1.8	Typ 850	25°	Typ .35
ESL-355-03-SM L	20	Max.1.8	Typ 850	30°	Typ .3

IGBT



Applications

Electricity Grid



UPS



EV



Welder



Home Appliances



EV DC Chargers



Rail



Wind Energy



Part Number	Package	Chip Technology	VCES (V)	k(A)	VCE(sat)	VGE(th)
				100°C		V
EST-30N65HSE-XRG	TO-247	FS	650	30	1.90	4.5~6.0
EST-40N65HSE-XRG	TO-247	FS	650	40	1.90	4.5~6.0
EST-50N65HSE-XRG	TO-247	FS	650	50	1.90	4.5~6.0
EST-60N65HSE-XRG	TO-247	FS	650	60	2.00	4.5~6.0
EST-75N65HSE-XRG	TO-247	FS	650	75	2.00	4.5~6.0
ESC-40HF120D1-XRU	D1	NPT	1200	40	3.20	4.5~6.0
ESC-50HF120D1-XRU	D1	NPT	1200	50	3.20	4.5~6.0
ESC-75HF120D1-XRU	D1	NPT	1200	75	3.20	4.5~6.0
ESC-100HF120D1-XRU	D1	NPT	1200	100	3.20	4.5~6.0
ESC-150HF120D1-XRU	D1	NPT	1200	150	3.20	4.5~6.0
ESC-100HF120D2-XRU	D2	NPT	1200	100	3.20	4.5~6.0
ESC-150HF120D2-XRU	D2	NPT	1200	150	3.20	4.5~6.0
ESC-200HF120D2-XRU	D2	NPT	1200	200	3.20	4.5~6.0
ESC-300HF120D2-XRU	D2	NPT	1200	300	3.20	4.5~6.0
ESC-150CU120D2SE-XRU	D2	FS	1200	100	2.30	4.5~6.0
ESC-200CU120D2SE-XRU	D2	FS	1200	150	2.30	4.5~6.0
ESC-300CU120D2SE-XRU	D2	FS	1200	200	2.30	4.5~6.0
ESC-450CU120D2SE-XRU	D2	FS	1200	300	2.30	4.5~6.0
ESC-600HF120D9U-XRK	D9	FS	1200	600	2.30	4.5~6.0



INDUSTRIES SERVED

-  Aerospace and defense
-  Automotive
-  Aviation
-  Communications
-  Consumer Electronics
-  Energy
-  Industrial
-  Medical

Our mission statement is to create an easy and accessible component distribution experience for all our clients.

LOCATIONS

Global presence while providing unparalleled customer service. 9 offices strategically placed in major regions of the global electronic economy.



United States Headquarters

7880 N University Dr. Ste. 100
Tamarac, FL 33321

EUROPE

- United Kingdom
- Poland
- Germany
- Italy
- Hungary

CHINA

- Shenzhen
- Hong Kong

SINGAPORE*

MEXICO

Guadalajara, Jalisco

INDIA*

*Offices coming soon

 +1 954 718 2950

 quote@ascglobal.com